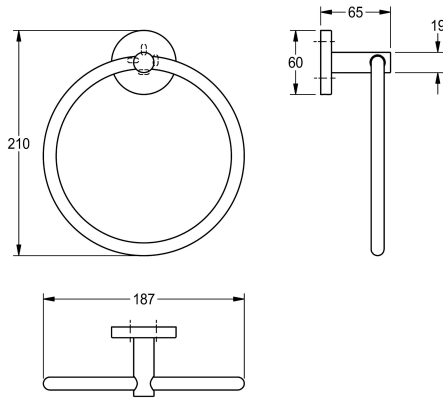


## KWC FIRMUS

### Towel ring

Modell-Linie: FIRMUS | FIRX104HP

Accessoires Hotel & Residential | Towel & rob holder Hotel



#### KWC-No.

**2000106283**

Surface high polished Dimensions 187 x 210 x 65 mm (W x H x D)

#### surface finish

high polished

#### surface finish

high polished

Towel ring for wall mounting, 304 stainless steel, round covers with drilled hole on bottom for fixation, includes stainless steel screws and dowels.

Surface high polished  
Dimensions 187 x 210 x 65 mm (W x H x D)

#### Technical Data

material	stainless steel
material code	1.4301 Chrome Nickel steel V2A
overall depth	65 mm
overall height	210 mm
overall width	187 mm
surface finish	high polished
type of fixing	screw
type of mounting	wall mounting
material	stainless steel
material code	1.4301 Chrome Nickel steel V2A
overall depth	65 mm
overall height	210 mm
overall width	187 mm
surface finish	high polished
type of fixing	screw
type of mounting	wall mounting

material	stainless steel
material code	1.4301 Chrome Nickel steel V2A
overall depth	65 mm
overall height	210 mm
overall width	187 mm
surface finish	high polished
type of fixing	screw
type of mounting	wall mounting
material	stainless steel
material code	1.4301 Chrome Nickel steel V2A
overall depth	65 mm
overall height	210 mm
overall width	187 mm
surface finish	high polished
type of fixing	screw
type of mounting	wall mounting