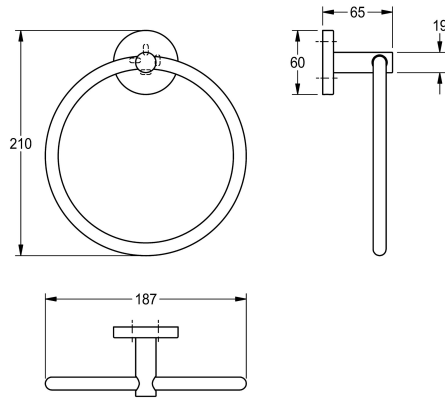


KWC FIRMUS

Towel ring

Modell-Linie: FIRMUS | FIRX104HP

Accessoires Hotel & Residential | Towel & rob holder Hotel



KWC-No.

2000106283

Surface high polished Dimensions 187 x 210 x 65 mm (W x H x D)

2000106282

Surface satin finished

surface finish

high polished

satin finished

surface finish

high polished

Towel ring for wall mounting, 304 stainless steel, round covers with drilled hole on bottom for fixation, includes stainless steel screws and dowels.

Surface high polished
Dimensions 187 x 210 x 65 mm (W x H x D)

Technical Data

material	stainless steel
material code	1.4301 Chrome Nickel steel V2A
overall depth	65 mm
overall height	210 mm
overall width	187 mm
surface finish	high polished
type of fixing	screw
type of mounting	wall mounting
material	stainless steel
material code	1.4301 Chrome Nickel steel V2A
overall depth	65 mm
overall height	210 mm
overall width	187 mm
surface finish	high polished
type of fixing	screw
type of mounting	wall mounting

material	stainless steel
material code	1.4301 Chrome Nickel steel V2A
overall depth	65 mm
overall height	210 mm
overall width	187 mm
surface finish	high polished
type of fixing	screw
type of mounting	wall mounting
material	stainless steel
material code	1.4301 Chrome Nickel steel V2A
overall depth	65 mm
overall height	210 mm
overall width	187 mm
surface finish	high polished
type of fixing	screw
type of mounting	wall mounting