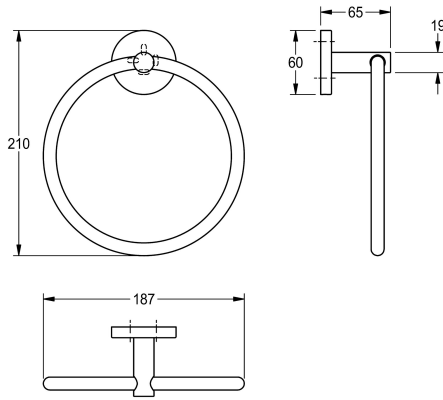


KWC FIRMUS

Towel ring

Modell-Linie: FIRMUS | FIRX104HP

Accessoires Hotel & Residential | Towel & rob holder Hotel



KWC-No.

2000106283

Surface high polished Dimensions 187 x 210 x 65 mm (W x H x D)

surface finish

high polished

surface finish

high polished

Towel ring for wall mounting, 304 stainless steel, round covers with drilled hole on bottom for fixation, includes stainless steel screws and dowels.

Surface high polished
Dimensions 187 x 210 x 65 mm (W x H x D)

Technical Data

material
material code
overall depth
overall height
overall width
surface finish
type of fixing
type of mounting
material
material code
overall depth
overall height
overall width
surface finish
type of fixing
type of mounting

stainless steel
1.4301 Chrome Nickel steel V2A
65 mm
210 mm
187 mm
high polished
screw
wall mounting
stainless steel
1.4301 Chrome Nickel steel V2A
65 mm
210 mm
187 mm
high polished
screw
wall mounting