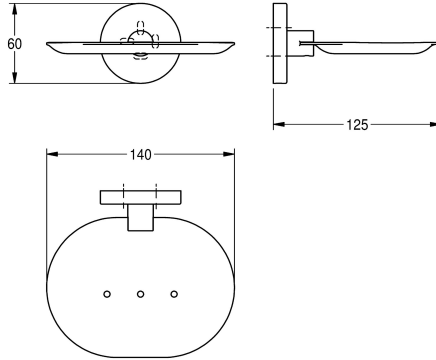


KWC FIRMUS

FIRMUS Soap dish for wall mounting

Modell-Linie: FIRMUS | FIRX107

Accessoires Hotel & Residential | Tumbler & soap holder



KWC-No.

2000106285

Surface high polished Dimensions 140 x 60 x 125 mm (W x H x D)

2000106284

Surface satin finished

surface finish

high polished

satin finished

Soap dish for wall mounting, 304 stainless steel, round covers with drilled hole on bottom for fixation, includes stainless steel screws and dowels.

Surface satin finished
Dimensions 140 x 60 x 125 mm (W x H x D)

Technical Data

material	stainless steel
material code	1.4301 Chrome Nickel steel V2A
overall depth	125 mm
overall height	60 mm
overall width	155 mm
surface finish	satin finished
type of fixing	screw
type of mounting	wall mounting

material	stainless steel
material code	1.4301 Chrome Nickel steel V2A
overall depth	125 mm
overall height	60 mm
overall width	155 mm
surface finish	satin finished
type of fixing	screw
type of mounting	wall mounting