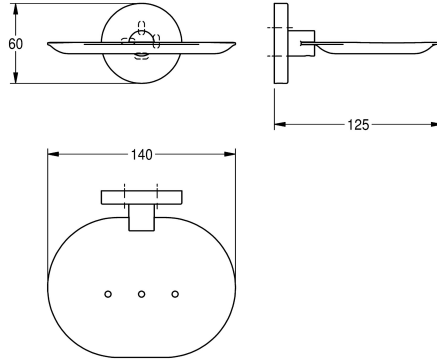


KWC FIRMUS

Soap tray

Modell-Linie: FIRMUS | FIRX107HP

Accessoires Hotel & Residential | Tumbler & soap holder



KWC-No.

2000106285

Surface high polished Dimensions 140 x 60 x 125 mm (W x H x D)

surface finish

high polished

Soap dish for wall mounting, 304 stainless steel, round covers with drilled hole on bottom for fixation, includes stainless steel screws and dowels.

Surface high polished
Dimensions 140 x 60 x 125 mm (W x H x D)

Technical Data

material
material code
overall depth
overall height
overall width
surface finish
type of fixing
type of mounting

stainless steel
1.4301 Chrome Nickel steel V2A
125 mm
60 mm
155 mm
high polished
screw
wall mounting