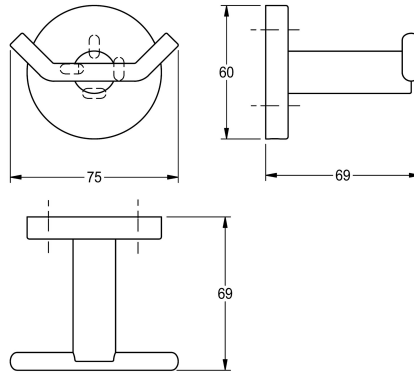


KWC FIRMUS Double robe hook

Modell-Linie: FIRMUS | FIRX0110HP
Accessoires Hotel & Residential | Towel & robe holder Hotel



KWC-No.

2000106287

Surface high polished Dimensions 75 x 60 x 69 mm (W x H x D)

Double robe hook for wall mounting, 304 stainless steel, round covers with drilled hole on bottom for fixation, includes stainless steel screws and dowels.

surface finish

high polished

Surface high polished
Dimensions 75 x 60 x 69 mm (W x H x D)

Technical Data

number of hooks

2

material

stainless steel

material code

1.4301 Chrome Nickel steel V2A

overall depth

69 mm

overall height

60 mm

overall width

75 mm

surface finish

high polished

type of fixing

screw

type of mounting

wall mounting