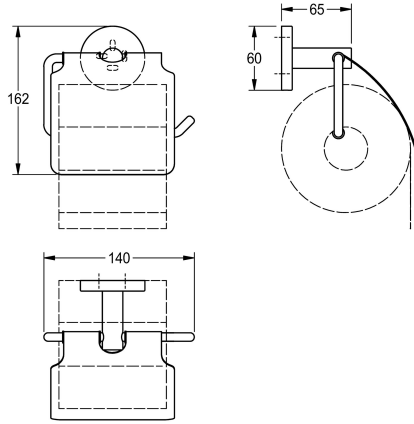


KWC FIRMUS

FIRMUS Toilet roll holder for wall mounting

Modell-Linie: FIRMUS | FIRX111

Accessoires Hotel & Residential | WC roll holder Hotel & Res.



KWC-No.

2000106289

Surface high polished Dimensions 140 x 162 x 65 mm (W x H x D)

2000106288

surface finish

high polished

satin finished

Toilet roll holder for wall mounting, 304 stainless steel, for 1 roll with max. Ø 130 mm, stainless steel folding cover, round covers with drilled hole on bottom for fixation, includes stainless steel screws and dowels.

Surface satin finished
Dimensions 140 x 162 x 65 mm (W x H x D)

Technical Data

filling quantity

1

lock

no lock

material

stainless steel

material code

1.4301 Chrome Nickel steel V2A

overall depth

65 mm

overall height

162 mm

overall width

140 mm

spindle

no

surface finish

satin finished

type of fixing

screw

type of mounting

wall mounting