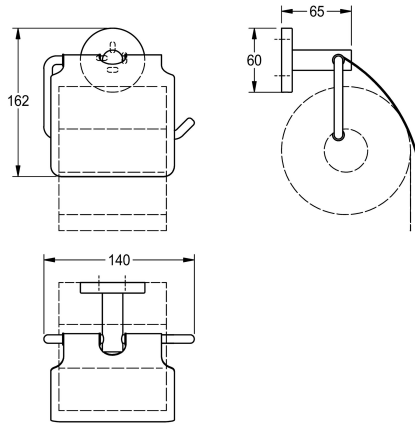


KWC FIRMUS Toilet roll holder

Modell-Linie: FIRMUS | FIRX111HP
Accessoires Hotel & Residential | WC roll holder Hotel & Res.



KWC-No.

2000106289

Surface high polished Dimensions 140 x 162 x 65 mm (W x H x D)

surface finish

high polished

Toilet roll holder for wall mounting, 304 stainless steel, for 1 roll with max. diameter 130 mm, stainless steel folding cover, round covers with drilled hole on bottom for fixation, includes stainless steel screws and dowels.

Surface high polished
Dimensions 140 x 162 x 65 mm (W x H x D)

Technical Data

| | |
|------------------|--------------------------------|
| filling quantity | 1 |
| lock | no lock |
| material | stainless steel |
| material code | 1.4301 Chrome Nickel steel V2A |
| overall depth | 65 mm |
| overall height | 162 mm |
| overall width | 140 mm |
| spindle | no |
| surface finish | high polished |
| type of fixing | screw |
| type of mounting | wall mounting |

| | |
|------------------|--------------------------------|
| filling quantity | 1 |
| lock | no lock |
| material | stainless steel |
| material code | 1.4301 Chrome Nickel steel V2A |
| overall depth | 65 mm |
| overall height | 162 mm |
| overall width | 140 mm |
| spindle | no |
| surface finish | high polished |
| type of fixing | screw |
| type of mounting | wall mounting |