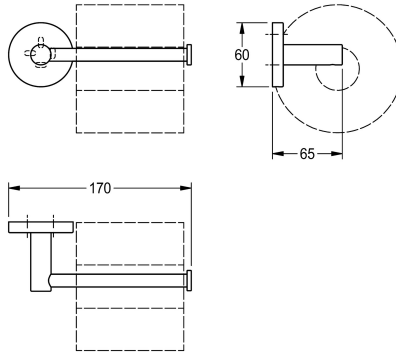
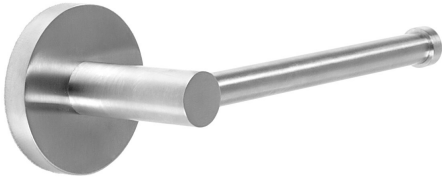


KWC FIRMUS

FIRMUS Spare toilet roll holder for wall mounting

Modell-Linie: **FIRMUS | FIRX211**

Accessoires Hotel & Residential | WC roll holder Hotel & Res.



KWC-No.

2000106293

Surface high polished Dimensions 170 x 60 x 65 mm (W x H x D)

2000106292

Surface satin finished

surface finish

high polished

satin finished

Spare toilet roll holder for wall mounting, 304 stainless steel, round covers with drilled hole on bottom for fixation, includes stainless steel screws and dowels.

Surface satin finished
Dimensions 170 x 60 x 65 mm (W x H x D)

Technical Data

filling quantity

1

lock

no lock

material

stainless steel

material code

1.4301 Chrome Nickel steel V2A

overall depth

65 mm

overall height

60 mm

overall width

170 mm

spindle

no

surface finish

satin finished

type of fixing

screw

type of mounting

wall mounting