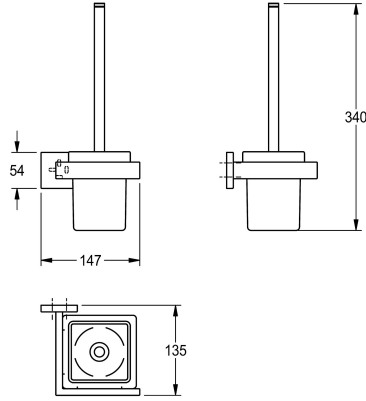


## KWC CUBUS CUBUS Toilet brush holder for wall mounting

Modell-Linie: CUBUS | CUBX005  
Accessoires Hotel & Residential | Toilet brush holders Hotel & Res.



### KWC-No.

**2000106353**

Surface high polished Dimensions 147 x 340 x 135 mm (W x H x D)

**2000106352**

Surface satin finished

### surface finish

high polished

satin finished

Toilet brush holder for wall mounting, 304 stainless steel handle with nylon brush, square glass cup, square cover with drilled hole on bottom for fixation, includes stainless steel screws and dowels.

Surface satin finished  
Dimensions 147 x 340 x 135 mm (W x H x D)

### Technical Data

brush colour

white

material

stainless steel

material code

1.4301 Chrome Nickel steel V2A

overall depth

135 mm

overall height

340 mm

overall width

147 mm

surface finish

satin finished

type of brush

nylon

type of fixing

screw

type of mounting

wall mounting