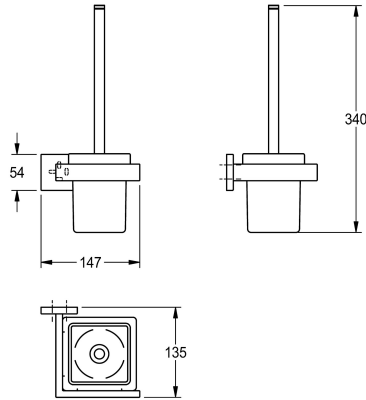


KWC CUBUS Toilet brush holder

Modell-Linie: CUBUS | CUBX005HP
Accessoires Hotel & Residential | Toilet brush holders Hotel & Res.



KWC-No.

2000106353

Surface high polished Dimensions 147 x 340 x 135 mm (W x H x D)

2000106352

Surface satin finished

surface finish

high polished

satin finished

Toilet brush holder for wall mounting, 304 stainless steel handle with nylon brush, square glass cup, square cover with drilled hole on bottom for fixation, includes stainless steel screws and dowels.

Surface high polished
Dimensions 147 x 340 x 135 mm (W x H x D)

Technical Data

brush colour

white

material

stainless steel

material code

1.4301 Chrome Nickel steel V2A

overall depth

135 mm

overall height

340 mm

overall width

147 mm

surface finish

high polished

type of brush

nylon

type of fixing

screw

type of mounting

wall mounting