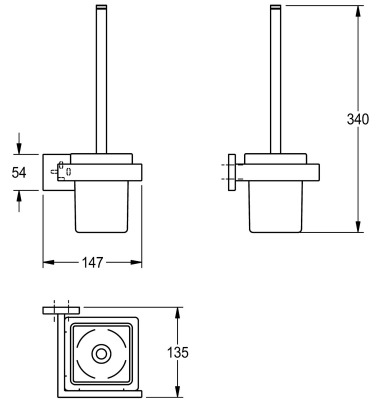


KWC CUBUS Toilet brush holder

Modell-Linie: CUBUS | CUBX005HP
Accessoires Hotel & Residential | Toilet brush holders Hotel & Res.



KWC-No.

2000106353

Surface high polished Dimensions 147 x 340 x 135 mm (W x H x D)

surface finish

high polished

Toilet brush holder for wall mounting, 304 stainless steel handle with nylon brush, square glass cup, square cover with drilled hole on bottom for fixation, includes stainless steel screws and dowels.

Surface high polished
Dimensions 147 x 340 x 135 mm (W x H x D)

Technical Data

brush colour
material
material code
overall depth
overall height
overall width
surface finish
type of brush
type of fixing
type of mounting

white
stainless steel
1.4301 Chrome Nickel steel V2A
135 mm
340 mm
147 mm
high polished
nylon
screw
wall mounting