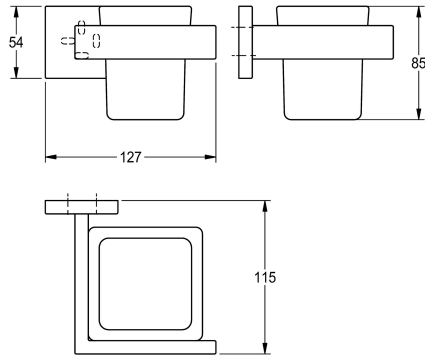


KWC CUBUS

CUBUS Tumbler holder for wall mounting

Modell-Linie: CUBUS | CUBX006

Accessoires Hotel & Residential | Tumbler & soap holder



KWC-No.

2000106355

Surface high polished Dimensions 127 x 85 x 115 mm (W x H x D)

2000106354

Surface satin finished

Tumbler holder for wall mounting, 304 stainless steel, square glass cup, square cup with drilled holes on bottom for fixation, includes stainless steel screws and dowels.

Surface satin finished
Dimensions 127 x 85 x 115 mm (W x H x D)