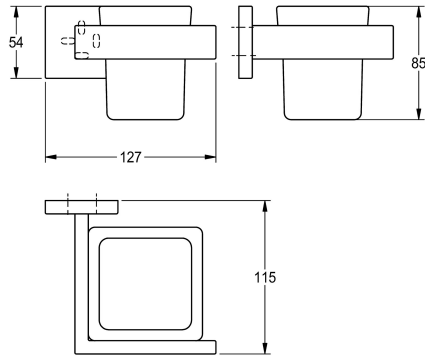


## KWC CUBUS Tumbler holder

Modell-Linie: CUBUS | CUBX006HP  
Accessoires Hotel & Residential | Tumbler & soap holder



### KWC-No.

**2000106355**

Surface high polished Dimensions 127 x 85 x 115 mm (W x H x D)

Tumbler holder for wall mounting, 304 stainless steel, square glass cup, square cup with drilled holes on bottom for fixation, includes stainless steel screws and dowels.

Surface high polished  
Dimensions 127 x 85 x 115 mm (W x H x D)