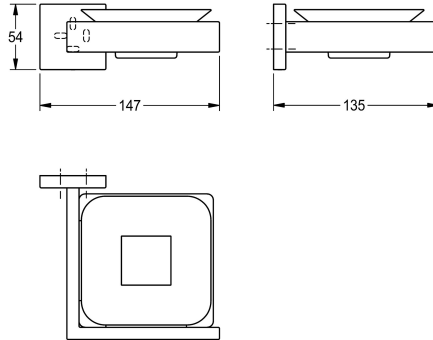


KWC CUBUS

Soap tray

Modell-Linie: CUBUS | CUBX007HP

Accessoires Hotel & Residential | Tumbler & soap holder



KWC-No.

2000106357

Surface high polished Dimensions 147 x 54 x 135 mm (W x H x D)

2000106356

Surface satin finished

surface finish

high polished

satin finished

Soap dish for wall mounting, 304 stainless steel, glass dish, square covers with drilled hole on bottom for fixation, includes stainless steel screws and dowels.

Surface high polished
Dimensions 147 x 54 x 135 mm (W x H x D)

Technical Data

material	stainless steel
material code	1.4301 Chrome Nickel steel V2A
overall depth	135 mm
overall height	54 mm
overall width	147 mm
surface finish	high polished
type of fixing	screw
type of mounting	wall mounting

material	stainless steel
material code	1.4301 Chrome Nickel steel V2A
overall depth	135 mm
overall height	54 mm
overall width	147 mm
surface finish	high polished
type of fixing	screw
type of mounting	wall mounting