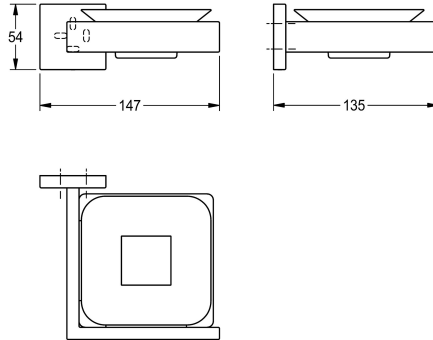


## KWC CUBUS

### Soap tray

Modell-Linie: CUBUS | CUBX007HP

Accessoires Hotel & Residential | Tumbler & soap holder



#### KWC-No.

**2000106357**

Surface high polished Dimensions 147 x 54 x 135 mm (W x H x D)

#### surface finish

high polished

Soap dish for wall mounting, 304 stainless steel, glass dish, square covers with drilled hole on bottom for fixation, includes stainless steel screws and dowels.

Surface high polished  
Dimensions 147 x 54 x 135 mm (W x H x D)

#### Technical Data

|                  |
|------------------|
| material         |
| material code    |
| overall depth    |
| overall height   |
| overall width    |
| surface finish   |
| type of fixing   |
| type of mounting |

|                                |
|--------------------------------|
| stainless steel                |
| 1.4301 Chrome Nickel steel V2A |
| 135 mm                         |
| 54 mm                          |
| 147 mm                         |
| high polished                  |
| screw                          |
| wall mounting                  |