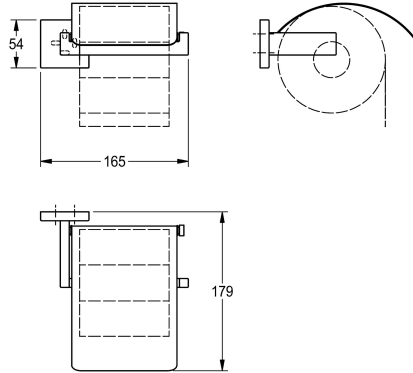


KWC CUBUS CUBUS Toilet roll holder for wall mounting

Modell-Linie: CUBUS | CUBX111
Accessoires Hotel & Residential | WC roll holder Hotel & Res.



KWC-No.

2000106363

Surface high polished Dimensions 165 x 54 x 179 mm (W x H x D)

2000106362

Surface satin finished

surface finish

high polished

satin finished

Toilet roll holder for wall mounting, 304 stainless steel, for 1 roll with max. Ø 130 mm, stainless steel folding cover, square cover with drilled hole on bottom for fixation, includes stainless steel screws and dowels.

Surface satin finished
Dimensions 165 x 54 x 179 mm (W x H x D)

Technical Data

filling quantity	1
lock	no lock
material	stainless steel
material code	1.4301 Chrome Nickel steel V2A
overall depth	179 mm
overall height	54 mm
overall width	165 mm
spindle	no
surface finish	satin finished
type of fixing	screw
type of mounting	wall mounting

1
no lock
stainless steel
1.4301 Chrome Nickel steel V2A
179 mm
54 mm
165 mm
no
satin finished
screw
wall mounting