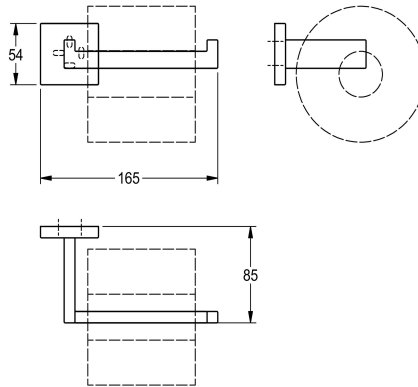


KWC CUBUS Replacement toilet roll holder

Modell-Linie: CUBUS | CUBX211HP
Accessoires Hotel & Residential | WC roll holder Hotel & Res.



KWC-No.

2000106365

Surface high polished Dimensions 165 x 54 x 85 mm (W x H x D)

surface finish

high polished

Spare toilet roll holder for wall mounting, 304 stainless steel, square covers with drilled hole on bottom for fixation, includes stainless steel screws and dowels.

Surface high polished
Dimensions 165 x 54 x 85 mm (W x H x D)

Technical Data

filling quantity	1
lock	no lock
material	stainless steel
material code	1.4301 Chrome Nickel steel V2A
overall depth	85 mm
overall height	54 mm
overall width	165 mm
spindle	no
surface finish	high polished
type of fixing	screw
type of mounting	wall mounting