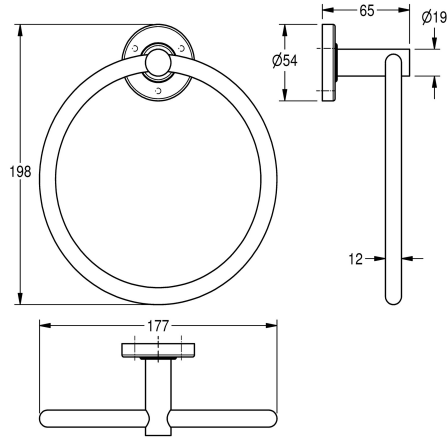


KWC MEDIUS

Towel ring

Modell-Linie: MEDIUS | MEDX104HP

Accessoires Hotel & Residential | Towel & rob holder Hotel



KWC-No.

2000106385

Surface high polished Dimensions 177 x 198 x 65 mm (W x H x D)

surface finish

high polished

Towel ring for wall mounting, 304 stainless steel, round covers to conceal the fixing of screws, includes stainless steel screws and dowels.

Surface high polished
Dimensions 177 x 198 x 65 mm (W x H x D)

Technical Data

material	stainless steel
material code	1.4301 Chrome Nickel steel V2A
overall depth	65 mm
overall height	198 mm
overall width	177 mm
surface finish	high polished
type of fixing	screw
type of mounting	wall mounting

material	stainless steel
material code	1.4301 Chrome Nickel steel V2A
overall depth	65 mm
overall height	198 mm
overall width	177 mm
surface finish	high polished
type of fixing	screw
type of mounting	wall mounting