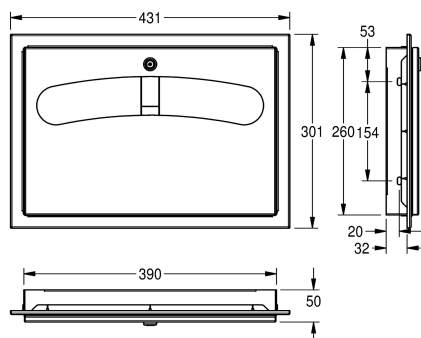


KWC

RODAN Toilet seat paper dispenser for recessed mounting

Modell-Linie: **RODAN** | **RODX680E** | **2000106562** | EAN/GTIN: 0
Accessories | Toilet seat paper dispensers



Article Number

2000106562

Toilet seat paper dispenser for recessed mounting is made of stainless steel sheet Grade EN 1.4301 (304), surface satin finished, material thickness 0.8 mm, flat front cover construction with oval aperture, cylindrical lock with KWC standard key,

provided with recessed frame. Includes surface mounting hardware (stainless steel screws and plastic dowels).

Dimensions 431 x 301 x 50 mm (W x H x D)

Technical Data

lock	key-lock
material	stainless steel
material code	1.4301 Chrome Nickel steel V2A
material thickness	0.8 mm
overall depth	50 mm
overall height	301 mm
overall width	431 mm
surface finish	satin finished
type of consumable	toilet seat paper
type of fixing	screw
type of mounting	recessed mounting
type of operation	manual operation