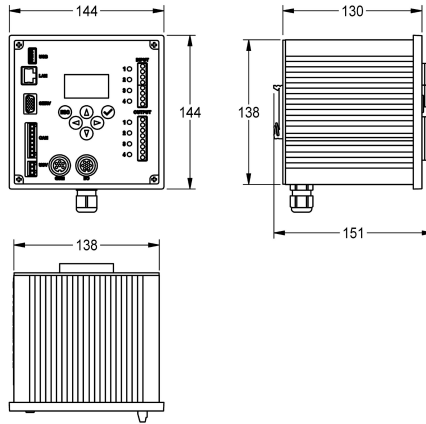


KWC AQUA 3000 open ECC2 function controller

Modell-Linie: AQUA3000OPEN | ZA3OP0011

Water management systems | Complementary parts water management



KWC-No.

2000108123

ECC2 function controller

2030016282

Version including BacNet-IP, KNX-IP and ModBus-TCP GLT-data protocols

ECC2 function controller - A3000 open with Ethernet and CAN bus connection for the fittings level and with integrated power supply, real-time clock with calendar function and WEB server. For connecting 32 AQUA 3000 open fittings/electronic system modules

or up to 200 m cable length for the purpose of supplying power and external control, e.g. for adjusting fittings and for communication, 230 V AC / 24 V DC.

Technical Data

| |
|------------------------|
| communication |
| compatible A3000 open |
| input supply voltage V |
| maximum cable length |
| maximum output current |
| output voltage |
| power switch |
| protective system IP |
| output voltage UOM |

| |
|---------------|
| yes |
| yes |
| 230 Volt |
| 200 Meter |
| 60 Voltampere |
| 24 Volt |
| no |
| IP20 |
| DC |



Mandatory Accessories



Terminating resistor

2000100847

KWC AQUA 3000 open ECC2 function controller

Modell-Linie: AQUA3000OPEN | ZA3OP0011

Water management systems | Complementary parts water management

ZAQUA014

Optional Accessories



Uninterruptible power supply

2000100977
ZAQUA006



Operation box for ECC2 function controller

2030068513
ZA3OP0034
