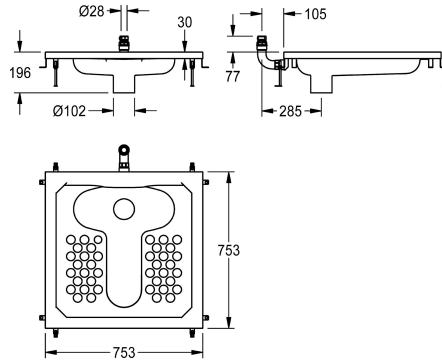


## KWC HEAVY-DUTY Squat pan

Modell-Linie: **CAMPUS | HDTX504**  
WCs and urinals | Squat pans



### KWC-No.

**2000108804**  
CAMPUS Squat pan

Squat pan made of stainless steel, suitable for DN 20 in-wall flush valves, surface satin finished, material thickness 1 mm, 9 liter flushing capacity, with circular folded edge (22 mm), circular flushing rim, suicide-resistant. Vertical connection from behind with

screw connection of 28 mm diameter, internal DN 100 waste outlet, fixing material and height adjustment included.

Dimensions 755 x 200 x 755 mm (W x H x D)

### Technical Data

|                     |                                |
|---------------------|--------------------------------|
| material            | stainless steel                |
| material code       | 1.4301 Chrome Nickel steel V2A |
| material thickness  | 1 mm                           |
| outlet size         | DN 100                         |
| overall depth       | 755 mm                         |
| overall height      | 200 mm                         |
| overall width       | 755 mm                         |
| type of mounting    | inset floor mounting           |
| type of toilet seat | no seat                        |
| type of WC          | squat-pan                      |



### Optional Accessories



#### CAMPUS Mounting support

**2000102731**  
ZCMPX004

#### Trap

**2000102733**  
ZCMPX002

#### Trap

**2000102734**  
ZCMPX003



**KWC HEAVY-DUTY**  
Squat pan

**Modell-Linie: CAMPUS | HDTX504**  
WCs and urinals | Squat pans