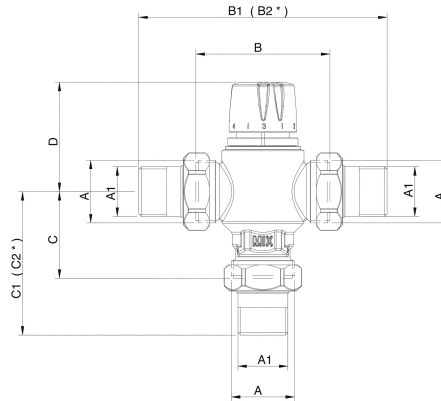


## KWC PURETHERM Thermostatic mixing unit

**Modell-Linie: PURETHERM | PURE0025**  
Water management systems | Central thermostat units



### KWC-No.

#### 2000111051

DN 15, 38 l/min volume flow at 3 bar flow pressure (free outlet)

#### 2000111052

DN 20, 49 l/min volume flow at 3 bar flow pressure (free outlet)

#### 2000111053

DN 25, 84 l/min volume flow at 3 bar flow pressure (free outlet)

### diameter nominal

DN 15

DN 20

DN 25

PURETHERM - thermostatically controlled mixing unit DN 15 for a constant temperature water supply of pre-mixed warm water, with connection unions, non-return valves and dirt strainers. Temperature selector for adjusting the temperature from 30 to 65 °C. Thermostat

with expansion element (wax) and fastening made of brass, stainless steel springs, housing made of raw brass. Volume flow 38 l/min at a flow pressure of 3 bar (free outlet).

### Technical Data

control

diameter nominal

pressure gauge

kind of supply

thermal disinfection

type of thermostat unit

volume a flow pressure of 3 ba

mechanical

DN 15

no

for de-centralised supply

no

surface installation

38 Liter/Minute