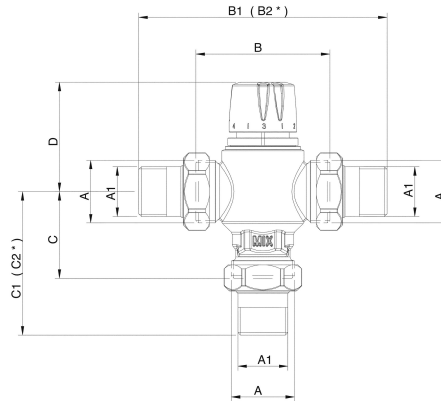


KWC PURETHERM Thermostatic mixing unit

Modell-Linie: PURETHERM | PURE0025
Water management systems | Central thermostat units



KWC-No.

2000111051

DN 15, 38 l/min volume flow at 3 bar flow pressure (free outlet)

2000111052

DN 20, 49 l/min volume flow at 3 bar flow pressure (free outlet)

2000111053

DN 25, 84 l/min volume flow at 3 bar flow pressure (free outlet)

diameter nominal

DN 15

DN 20

DN 25

PURETHERM - thermostatically controlled mixing unit DN 15 for a constant temperature water supply of pre-mixed warm water, with connection unions, non-return valves and dirt strainers. Temperature selector for adjusting the temperature from 30 to 65 °C. Thermostat

with expansion element (wax) and fastening made of brass, stainless steel springs, housing made of raw brass. Volume flow 38 l/min at a flow pressure of 3 bar (free outlet).

Technical Data

control	
diameter nominal	
pressure gauge	
kind of supply	
thermal disinfection	
type of thermostat unit	
volume a flow pressure of 3 ba	

mechanical	
DN 15	
no	
for de-centralised supply	
no	
surface installation	
38 Liter/Minute	