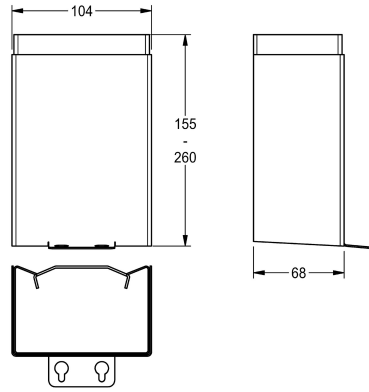
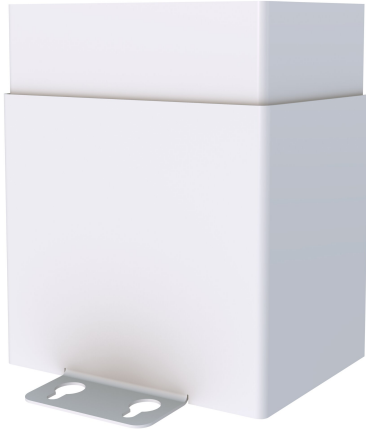


KWC

Housing extension

Modell-Linie: SHOWER-ACCESSORY | ZSHOW0009

Duschar | Kompletterande delar duschar



KWC-No.

2000111077

Housing extension, 155 – 260 mm

2000111078

Housing extension, 250 – 360 mm

Housing extension made of stainless steel for shower panel SMARTWAVE, white (RAL 9010) powder coated, with height-adjustment, for cladding of surface pipe installations, fixing set

included.

Dimensions of housing 104 x 155 until 260 x 60 mm (W x H x D)