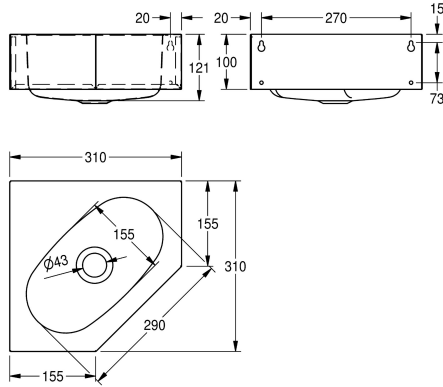


KWC ANIMA Single washbasin

Modell-Linie: ANIMA | WT310E
Washbasins & Washtroughs | Wash basins



KWC-No.

203.0499.146

Single wash basin for wall-corner mounting, stainless steel, surface satin finished, material thickness 1 mm, seamless welded bowl with diameter 290 x 155 x 100 mm, rectangular shape, with tap ledge, without overflow, 1 1/4" flat perforated waste, drainage centric,

front panel with 45° corner edges, includes screws and dowels.

Dimensions 310 x 121 x 310 mm (W x H x D)
Bowl dimensions 290 x 121 x 155 mm (W x H x D)

Technical Data

type of basin
bowl position
bowl - bowl height
bowl finish
bowl - depth
bowl shape
bowl - width
colour
material
material code
material thickness
overall depth
overall height
overall width
overflow
rear upstand
siphon diameter
siphon included
spillway
splash back
surface finish
tap ledge
type of mounting
type of waste kit
waste hole position
waste hole projection

Wash basin
Center
121 mm
satin finished
155 mm
oval
290 mm
no colour
stainless steel
1.4301 Chrome Nickel steel V2A
1 mm
310 mm
121 mm
310 mm
no
no
DN 32
no
no
no
satin finished
yes
wall mounting
perforated waste
centre
155 mm





KWC ANIMA
Single washbasin

Modell-Linie: ANIMA | WT310E
Washbasins & Washtroughs | Wash basins

waste kit included	yes
waste size	DN 32
waste sleeve included	no