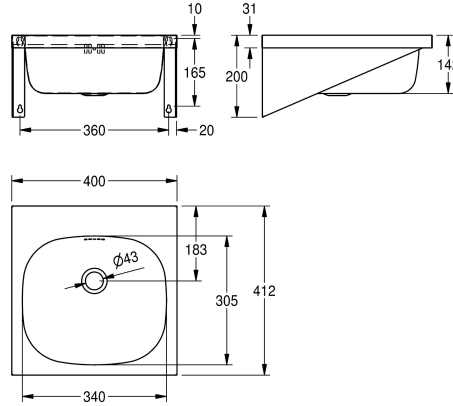


KWC ANIMA Single washbasin

Modell-Linie: ANIMA | WT400A
Washbasins & Washtroughs | Wash basins



KWC-No.

203.0500.577

2000103762

With 35 mm diameter tap hole, centered

Single wash basin for wall mounting, stainless steel, surface satin finished, material thickness 1 mm, seamless welded bowl with diameter 340 x 305 x 142 mm, rectangular shape, 80 mm tap ledge, with overflow, 1 1/4" plug waste, drainage rewards centric,

prewelded mounting brackets, includes screws and dowels.

Dimensions 400 x 200 x 412 mm (W x H x D)

Technical Data

bowl position
bowl - bowl height
bowl finish
bowl - depth
bowl shape
bowl - width
colour
material
material code
material thickness
overall depth
overall height
overall width
overflow
overflow position
rear upstand
siphon included
splash back
surface finish
tap ledge
type of mounting
type of waste kit
waste hole position
waste hole projection

Center
142 mm
satin finished
305 mm
rectangle
340 mm
no colour
stainless steel
1.4301 Chrome Nickel steel V2A
1 mm
412 mm
200 mm
400 mm
yes
back
no
no
optional
satin finished
yes
wall mounting
plug waste
centre back
183 mm

KWC ANIMA Single washbasin

Modell-Linie: ANIMA | WT400A
Washbasins & Washtroughs | Wash basins

waste kit included

yes

Optional Accessories



ANIMA splash back

2000100065
SB400