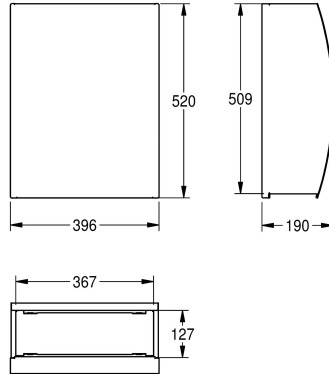
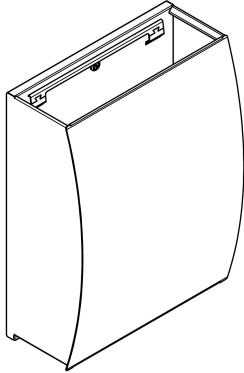


KWC STRATOS

Waste bin

Modell-Linie: STRATOS | EACCS235

Spare parts | Spare parts accessories



KWC-No.

2030000892

STRATOS, waste bin for mounting as a spare part for STRX617E combination unit, stainless steel, surface satin finished, front with InoxPlus surface refinement for the reduction of finger marks and better cleaning characteristics (easy to clean), material thickness 1.5 mm, curved front cover, cylinder lock with KWC standard key,

approx. 29 liter capacity, integrated bag holder, includes stainless steel screws and dowels.

Dimensions 396 x 521 x 190 mm (W x H x D)

Technical Data

bag holder
lid
lock
material
material code
surface finish
surface treatment
type of fixing
type of mounting

yes
no
key-lock
stainless steel
1.4301 Chrome Nickel steel V2A
satin finished
InoxPlus (anti fingerprint)
screw
mounted on product