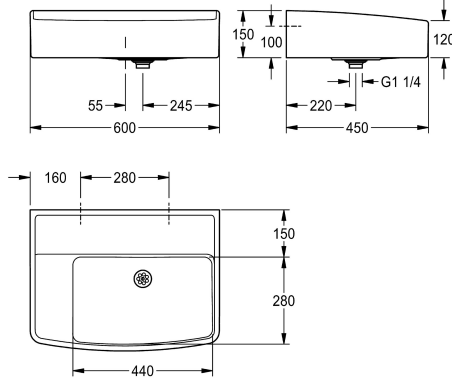


KWC SIRIUS Classroom basin

Modell-Linie: SIRIUS | ANMW323
Utility sinks | Multi purpose sink



KWC-No.

2000106177

With tap hole Dimensions 600 x 150 x 450 mm (W x H x D)

2030006863

Without tap hole

number of tap holes

1

Classroom sink made of resin-bonded mineral material with smooth, pore-free surface (temperature resistant up to 80°C). Colour Alpine White. With seamless bowl, without overflow, with tap landing, without tap hole, sponge tray on the left side. Front slightly arched. Rear contoured edge. Strainer waste DN 32, plastic threaded

connection, fixing material included.

Dimensions 600 x 150 x 450 mm (W x H x D)
Bowl dimensions 440 x 280 mm (W x T)

Technical Data

bowl position
bowl construction
bowl - depth
bowl - width
brushes
drainer or storage
grid
inlet size
material
material code
number of waste holes
outlet size
overall depth
overall height
overall width
overflow
rear upstand
wash riffle
spillway
splash back
sump
sump basket
surface finish

right
radius corners
280 mm
440 mm
Without brushes
no
no
DN 32
mineral material
Miranit
1
DN 32
450 mm
150 mm
600 mm
no
yes
no
no
no
no
no
coated

KWC SIRIUS Classroom basin

Modell-Linie: SIRIUS | ANMW323
Utility sinks | Multi purpose sink

tap ledge	yes
type of mounting	wall mounting
type of utility sink	multi purpose sink
type of waste kit	perforated waste
number of wash places	1
waste hole position	centre
waste hole projection	220 mm
waste kit included	yes
waste size	DN 32

Optional Accessories



Cabinet for installation under the tabletop

2000107663
WSPL0017



Cabinet for installation under the tabletop

2000107664
WSPL0018