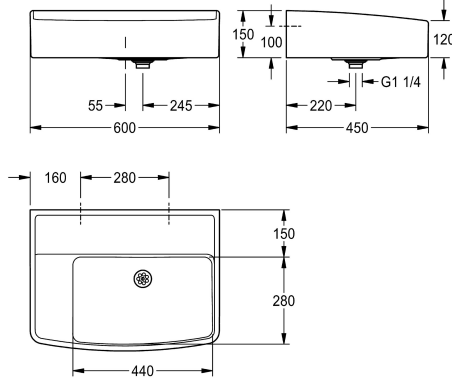


## KWC SIRIUS Classroom basin

Modell-Linie: SIRIUS | ANMW323  
Utility sinks | Multi purpose sink



### KWC-No.

**2000106177**

With tap hole Dimensions 600 x 150 x 450 mm (W x H x D)

**2030006863**

Without tap hole

### number of tap holes

1

Classroom sink made of resin-bonded mineral material with smooth, pore-free surface (temperature resistant up to 80°C). Colour Alpine White. With seamless bowl, without overflow, with tap landing, without tap hole, sponge tray on the left side. Front slightly arched. Rear contoured edge. Strainer waste DN 32, plastic threaded

connection, fixing material included.

Dimensions 600 x 150 x 450 mm (W x H x D)  
Bowl dimensions 440 x 280 mm (W x T)

### Technical Data

|                       |
|-----------------------|
| bowl position         |
| bowl construction     |
| bowl - depth          |
| bowl - width          |
| brushes               |
| drainer or storage    |
| grid                  |
| inlet size            |
| material              |
| material code         |
| number of waste holes |
| outlet size           |
| overall depth         |
| overall height        |
| overall width         |
| overflow              |
| rear upstand          |
| wash riffle           |
| spillway              |
| splash back           |
| sump                  |
| sump basket           |
| surface finish        |

|                  |
|------------------|
| right            |
| radius corners   |
| 280 mm           |
| 440 mm           |
| Without brushes  |
| no               |
| no               |
| DN 32            |
| mineral material |
| Miranit          |
| 1                |
| DN 32            |
| 450 mm           |
| 150 mm           |
| 600 mm           |
| no               |
| yes              |
| no               |
| no               |
| no               |
| no               |
| no               |
| coated           |

## KWC SIRIUS Classroom basin

Modell-Linie: SIRIUS | ANMW323  
Utility sinks | Multi purpose sink

|                       |                    |
|-----------------------|--------------------|
| tap ledge             | yes                |
| type of mounting      | wall mounting      |
| type of utility sink  | multi purpose sink |
| type of waste kit     | perforated waste   |
| number of wash places | 1                  |
| waste hole position   | centre             |
| waste hole projection | 220 mm             |
| waste kit included    | yes                |
| waste size            | DN 32              |

### Optional Accessories



**Cabinet for installation under the tabletop**

**2000107663**  
WSPL0017



**Cabinet for installation under the tabletop**

**2000107664**  
WSPL0018