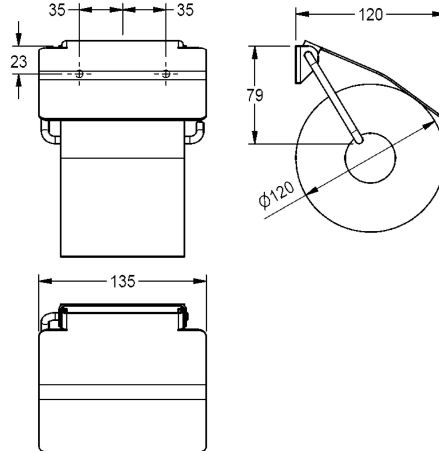


KWC RODAN

Toilet roll holder for wall mounting

Modell-Linie: RODAN | RODX678

Accessories | WC-roll holders



KWC-No.

2030013026

Surface-mounted toilet roll holder, dimensions 135 x 130 x 25 mm (W x H x D)

Toilet roll holder for wall mounting, stainless steel, surface satin finished, material thickness 0.8 mm, folding cover, for 1 roll with max. diameter 130 mm, includes stainless steel screws and

dowels.

Dimensions 135 x 130 x 25 mm (W x H x D)

Technical Data

maximum depth/diameter of cons	150 mm
maximum width of consumable	130 mm
filling quantity	1
filling quantity uom	rolls
lock	no lock
material	stainless steel
material code	1.4301 Chrome Nickel steel V2A
material thickness	0.8 mm
overall depth	30 mm
overall height	130 mm
overall width	135 mm
spindle	yes
surface finish	satin finished
type of fixing	screw
type of mounting	wall mounting