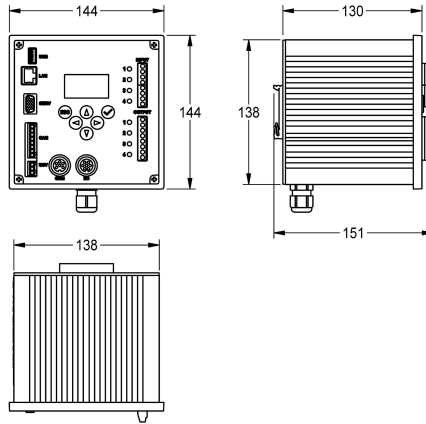


KWC AQUA 3000 open ECC2 function controller

Modell-Linie: AQUA3000OPEN | ZA3OP0022

Water management systems | Complementary parts water management



KWC-No.

2000108123

ECC2 function controller

2030016282

Version including BacNet-IP, KNX-IP and ModBus-TCP GLT-data protocols

ECC2 function controller - A3000 open with Ethernet and CAN bus connection for the fittings level and with integrated power supply, real-time clock with calendar function and WEB server. For connecting 32 AQUA 3000 open fittings/electronic system modules

or up to 200 m cable length for the purpose of supplying power and external control, e.g. for adjusting fittings and for communication. With BMS connectivity for BacNet - IP, KNX - IP and ModBus - TCP, 230 V AC / 24 V DC.

Technical Data

communication
compatible A3000 open
input supply voltage V
maximum cable length
maximum output current
output voltage
power switch
protective system IP
output voltage UOM

yes
yes
230 Volt
200 MTR
60 Voltampere
24 Volt
no
Shower System components ¹
DC



Mandatory Accessories



Terminating resistor

2000100847

KWC AQUA 3000 open ECC2 function controller

Modell-Linie: AQUA3000OPEN | ZA3OP0022

Water management systems | Complementary parts water management

ZAQUA014

Optional Accessories



Uninterruptible power supply

2000100977

ZAQUA006
