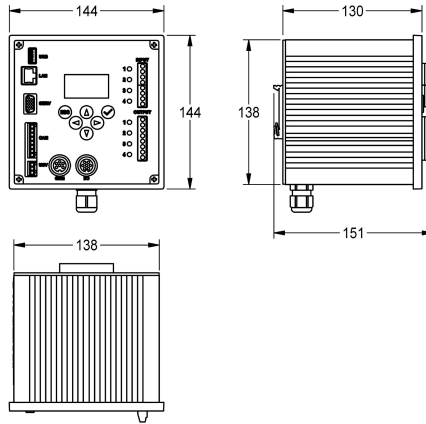


## KWC AQUA 3000 open ECC2 function controller

Modell-Linie: AQUA3000OPEN | ZA3OP0022

Water management systems | Complementary parts water management



### KWC-No.

**2000108123**

ECC2 function controller

**2030016282**

Version including BacNet-IP, KNX-IP and ModBus-TCP GLT-data protocols

ECC2 function controller - A3000 open with Ethernet and CAN bus connection for the fittings level and with integrated power supply, real-time clock with calendar function and WEB server. For connecting 32 AQUA 3000 open fittings/electronic system modules

or up to 200 m cable length for the purpose of supplying power and external control, e.g. for adjusting fittings and for communication. With BMS connectivity for BacNet - IP, KNX - IP and ModBus - TCP, 230 V AC / 24 V DC.

### Technical Data

communication
compatible A3000 open
input supply voltage V
maximum cable length
maximum output current
output voltage
power switch
protective system IP
output voltage UOM

yes
yes
230 Volt
200 Meter
60 Voltampere
24 Volt
no
IP20
DC



### Mandatory Accessories



### Terminating resistor

**2000100847**



## KWC AQUA 3000 open ECC2 function controller

Modell-Linie: AQUA3000OPEN | ZA3OP0022

Water management systems | Complementary parts water management

ZAQUA014

---

### Optional Accessories



### Uninterruptible power supply

---

**2000100977**

ZAQUA006

---