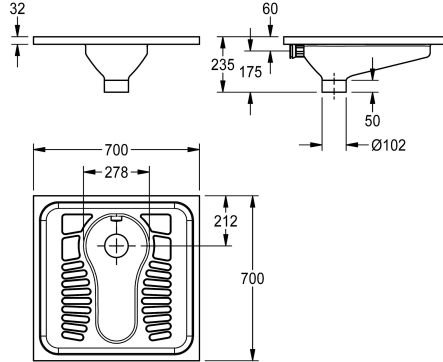


KWC CAMPUS Squat pan

Modell-Linie: **CAMPUS | CMPX502N**
WCs and urinals | Squat pans



KWC-No.

2030018490

Dimensions 700 x 235 x 700 mm (W x H x D)

2030023692

Version without spreader

Squat pan for recessed or inset mounting, stainless steel, surface satin finished, material thickness 1.2 mm, DN 100 waste, drainage into ground, slip resistant patterned foot tread plate areas, suitable for recessed mounting into floor.

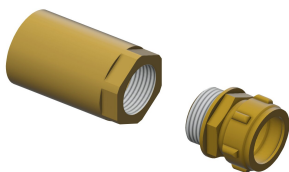
With spreader for connection of 40 mm outer diameter flushing pipe.
Dimensions 700 x 235 x 700 mm (W x H x D)

Technical Data

inlet size	DN 40
material	stainless steel
material code	1.4301 Chrome Nickel steel V2A
material thickness	1.2 mm
minimum flushing capacity	6 Liter
outlet size	DN 100
overall depth	700 mm
overall height	235 mm
overall width	700 mm
surface finish	satin finished
type of mounting	inset floor mounting
type of toilet seat	no seat
type of WC	squat-pan

inlet size	DN 40
material	stainless steel
material code	1.4301 Chrome Nickel steel V2A
material thickness	1.2 mm
minimum flushing capacity	6 Liter
outlet size	DN 100
overall depth	700 mm
overall height	235 mm
overall width	700 mm
surface finish	satin finished
type of mounting	inset floor mounting
type of toilet seat	no seat
type of WC	squat-pan

Mandatory Accessories



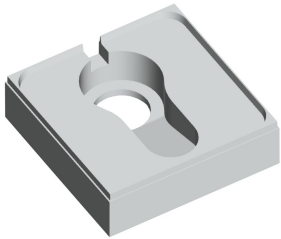
KWC CAMPUS Squat pan

Modell-Linie: **CAMPUS | CMPX502N**
WCs and urinals | Squat pans

CAMPUS connection set, squat toilet

2030027502
ZCMPX007

Optional Accessories



CAMPUS mounting support for squat toilet

2030027861
ZCMPX0011



Trap

2000102734
ZCMPX003



Trap

2000102733
ZCMPX002
