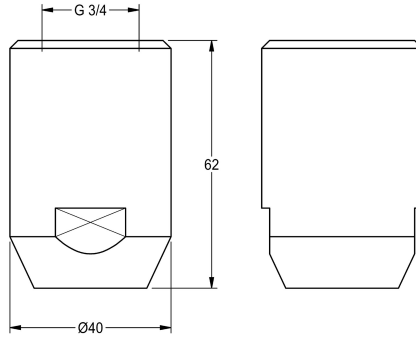


KWC

Emergency showerhead

Modell-Linie: EMERGENCYSHOWERS | FAID0001

Emergency showers | Whole body showers



KWC-No.

2030018810

Volume flow approx. 65 l/min at 1.0 bar flow pressure, approx. 110 l/min at 3.0 bar flow pressure.

Emergency shower head DN 20, self-draining, green EPS coated brass (RAL 6032). Complies with EN 15154, Part 1. Volumetric flow

rate approx. 65 l/min at 1 bar pressure, volumetric flow rate approx. 110 l/min at 3 bar pressure.

Optional Accessories



Wall arm

2030018827

ZFAID0001