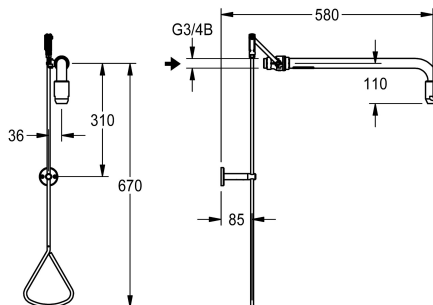
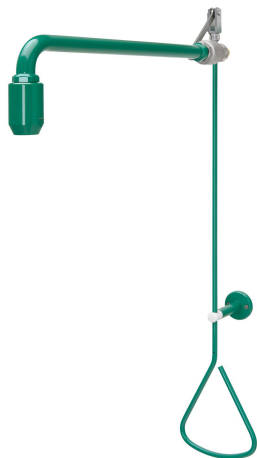


KWC

Emergency shower activated by a pull-rod on connection piece

Modell-Linie: EMERGENCYSHOWERS | FAID0008 | 2030019175 | EAN/GTIN: 7612982217166
Emergency showers | Whole body showers



Article Number

2030019175

Pull-rod operated emergency shower, for surface mounting, on connection piece provided by the customer. Valve activated by triangular handle. With wall bracket and emergency shower head. Non-self-closing, the water flow is stopped by pushing up the pull rod, green EPS coating (RAL 6032), complies with EN 15154, Part

1, includes the "emergency shower" safety symbol on an adhesive label in compliance with ISO 3864, Part 1 and user instructions. Volumetric flow rate approx. 65 l/min at 1 bar pressure, approx. 110 l/min at 3 bar pressure, water connection G 3/4 B.

Technical Data

Farbe	grün
Ausladung des Auslaufs	588 mm
Art des Anschlusses	Rohranschluss
Art der Armatur	Wandarmanschluss
Volumenstrom bei 1 bar	1.08 l/s
Volumenstrom bei 3 bar	1.83 l/s

grün
588 mm
Rohranschluss
Wandarmanschluss
1.08 l/s
1.83 l/s

Optional Accessories



Extension for coupling-rod

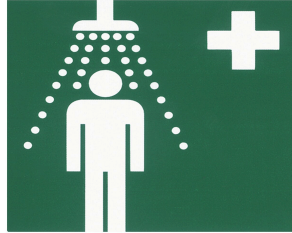
2030061050
ZFAID0003

Spare Parts

KWC

Emergency shower activated by a pull-rod on connection piece

Modell-Linie: EMERGENCYSHOWERS | FAID0008 | 2030019175 | EAN/GTIN: 7612982217166
Emergency showers | Whole body showers



KWC

Emergency shower head

2030018810
FAID0001

Safety label emergency shower

2000101152
FAID904
