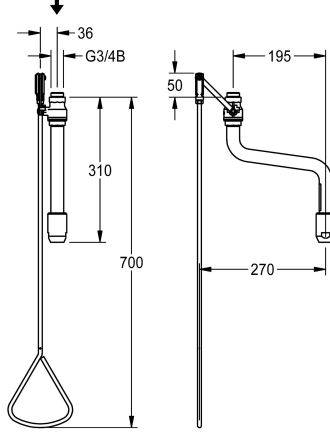
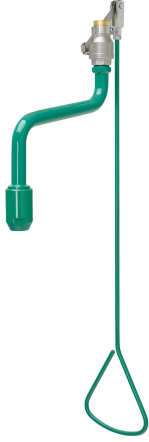


## KWC

Emergency shower activated by a pull-rod for ceiling mounting

Modell-Linie: EMERGENCYSHOWERS | FAID0009

Emergency showers | Whole body showers



### KWC-No.

**2030019182**

Pull-rod operated emergency shower, for ceiling mounting, with water supply from the ceiling, valve operated by triangular handle, shower pipe with horizontal offset so that the handle is outside the water spray. Non-self-closing, the water flow is stopped by pushing up the handle. With wall bracket and emergency shower

head, green EPS coated (RAL 6032). Complies with EN 15154, Part 1. Includes the "emergency shower" safety symbol on an adhesive label in compliance with ISO 3864, Part 1 and user instructions. Volumetric flow rate approx. 65 l/min at 1 bar pressure, approx. 110 l/min at 3 bar pressure, water connection G 3/4 B.

### Technical Data

colour	green
spout projection	195 mm
type of connection	pipe connection
type of fitting	ceiling installation
volume flow rate at 1 bar	1.08 l/s
volume flow rate at 3 bar	1.83 l/s

colour	green
spout projection	195 mm
pipe connection	pipe connection
ceiling installation	ceiling installation
volume flow rate at 1 bar	1.08 l/s
volume flow rate at 3 bar	1.83 l/s

### Optional Accessories



### Extension for coupling-rod

**2030061050**  
ZFAID0003

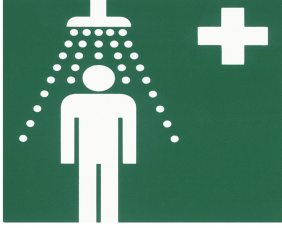
### Spare Parts

## KWC

Emergency shower activated by a pull-rod for ceiling mounting

Modell-Linie: EMERGENCYSHOWERS | FAID0009

Emergency showers | Whole body showers



KWC

### Safety label emergency shower

---

**2000101152**

FAID904

---