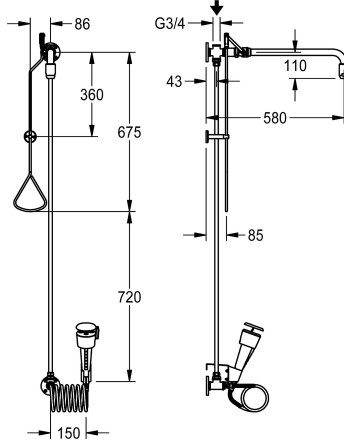
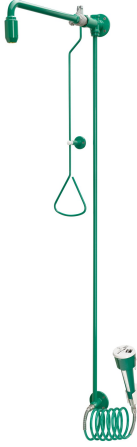


## KWC

Emergency combined body shower for water supply from the ceiling

Modell-Linie: EMERGENCYSHOWERS | FAID0010

Emergency showers | Whole body showers



KWC-No.

**2030019212**

Combined emergency body shower and eye-wash fountain, for surface mounting, for water supply from the ceiling. Can be used independently of each other. Valve operation of shower head by triangular handle, hand shower operated by pressing the white trigger button. Neither function self-closing. Water flow stopped by pushing the pull rod up or, with the eye-wash fountain, by pressing the red water stop button. Wall bracket and emergency shower head. Eye-wash fountain with device for precise positioning, inclined 20° forward, with spiral hose for flexible or stationary use. With an integrated flow regulator for a constant water spray height, return flow inhibitor, grit filter and dust cap with user instructions. Surface

body shower, green EPS coated (RAL 6032), eye-wash fountain, plastic, green with white trigger button. Complies with EN 15154, Parts 1 and 2, includes the "emergency shower" and "eye washing facility" safety symbol on an adhesive label in compliance with ISO 3864, Part 1.  
 Volumetric flow rate body shower: approx. 65 l/min at 1 bar pressure, approx. 110 l/min at 3 bar pressure  
 Volume flow rate eye-wash fountain: 9 l/min from 1 bar pressure upwards  
 Water connection: G 3/4

### Optional Accessories



Extension for coupling-rod

**2030061050**

ZFAID0003

### Spare Parts

## KWC

Emergency combined body shower for water supply from the ceiling

Modell-Linie: EMERGENCYSHOWERS | FAID0010

Emergency showers | Whole body showers



**Emergency showerhead with wall bracket**

**2030018821**  
FAID0002



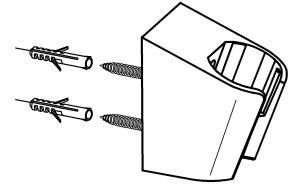
**Wall arm**

**2030018827**  
ZFAID0001



**Emergency showerhead**

**2030018810**  
FAID0001



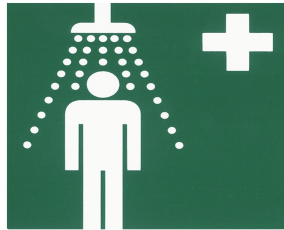
**Wall mounting**

**2000103189**  
FAID905



**Wall connecting piece**

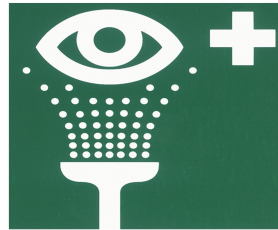
**2000101156**  
ZFAID694



KWC

**Safety label emergency shower**

**2000101152**  
FAID904



KWC

**Safety label eye-washing facility**

**2000101153**  
FAID903