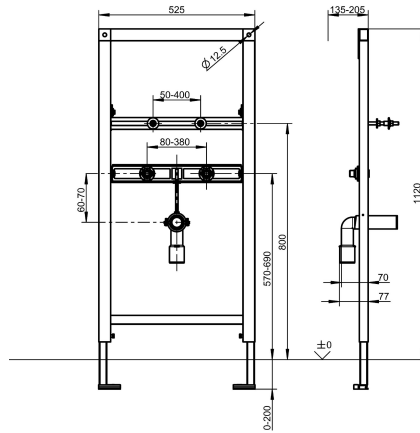


## KWC AQUAFIX Installation frame for wash basins

Modell-Linie: AQUAFIX | CMPX152  
Installation frames | Installation units wash basins



### KWC-No.

**2030019897**

Installation frame for washbasins Dimensions 525 x 1120 mm (W x H)

AQUAFIX installation frame for wash basins with pillar type fittings, self-supporting, powder coated steel-frame construction, TÜV tested, for individual mounting for dry-wall lining, height-adjustable fastening as well as fitting connections and outlet mount, sound-

insulated wall ducts G 1/2, universal outlet bend DN 50, retaining bolts for washbasin, building protection and fastening material.

Dimensions 525 x 1120 mm (W x H)

### Technical Data

application
barrier-free
Built-in fitting model
height adjustment
diameter nominal
material
minimum wall thickness
outlet size
overall depth
overall height
overall width
type
type of mounting

wash basin
no
Built-in section
200 mm
DN 15
steel
135 mm
DN 50
135 mm
1,120 mm
525 mm
installation element
wall and floor mounting

### Optional Accessories





## **KWC** AQUAFIX

Installation frame for wash basins

**Modell-Linie: AQUAFIX | CMPX152**

Installation frames | Installation units wash basins

### **AQUAFIX wall bracket**

---

**2000100867**

ZCMPX140

---