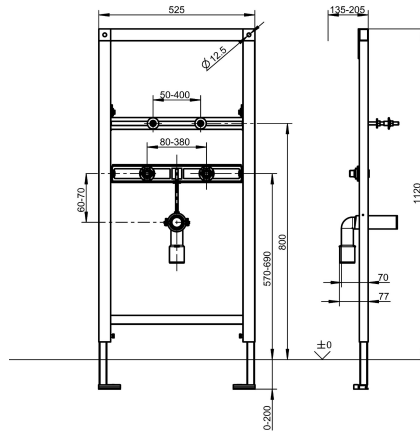


KWC AQUAFIX Installation frame for wash basins

Modell-Linie: AQUAFIX | CMPX152
Installation frames | Installation units wash basins



KWC-No.

2030019897

Installation frame for washbasins Dimensions 525 x 1120 mm (W x H)

AQUAFIX installation frame for wash basins with pillar type fittings, self-supporting, powder coated steel-frame construction, TÜV tested, for individual mounting for dry-wall lining, height-adjustable fastening as well as fitting connections and outlet mount, sound-

insulated wall ducts G 1/2, universal outlet bend DN 50, retaining bolts for washbasin, building protection and fastening material.

Dimensions 525 x 1120 mm (W x H)

Technical Data

application
barrier-free
Built-in fitting model
height adjustment
diameter nominal
material
minimum wall thickness
outlet size
overall depth
overall height
overall width
type
type of mounting

wash basin
no
Built-in section
200 mm
DN 15
steel
135 mm
DN 50
135 mm
1,120 mm
525 mm
installation element
wall and floor mounting

Optional Accessories





KWC AQUAFIX

Installation frame for wash basins

Modell-Linie: AQUAFIX | CMPX152

Installation frames | Installation units wash basins

AQUAFIX wall bracket

2000100867

ZCMPX140
