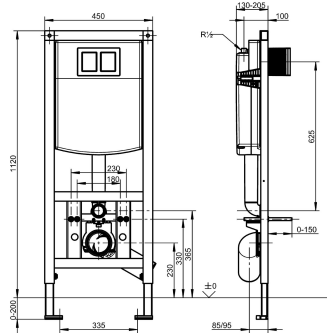


## KWC AQUAFIX

Installation frame for WC pan, with wall-installation cistern

Modell-Linie: AQUAFIX | AQFX0006

Installation frames | Installation units wc



### KWC-No.

**2030020126**

Installation frame for WC pan, with wall-installation cistern

AQUAFIX installation element for wall-mounted toilet bowl, with wall-installation cistern. Self-supporting, powder coated steel-frame construction, TÜV tested, for individual mounting for dry-wall lining. Concealed toilet cistern with water condensation insulation, with dual-volume flushing (7,5-4,5 l or 4-2 l) or Start/Stop flushing, triggering function transferred via flexible pressure spirals, charge

valve noise group I, mounting bracket 4-fold adjustable for toilet-connecting elbow DN 90 / DN 100, complete with flexible connecting hose, toilet-connecting elbow, retaining bolts for toilet, building protection and fastening material.

Dimensions 450 x 1120 mm (W x H)

### Technical Data

application
barrier-free
Built-in fitting model
height adjustment
diameter nominal
material
minimum wall thickness
type of mixing
outlet size
overall depth
overall height
overall width
type
type of mounting

WC flush valve
no
Built-in section
200 mm
DN 15
Steel
155 mm
no
DN 100
155 mm
1,120 mm
450 mm
installation element
wall and floor mounting

### Mandatory Accessories

## KWC AQUAFIX

Installation frame for WC pan, with wall-installation cistern

Modell-Linie: AQUAFIX | AQFX0006  
Installation frames | Installation units wc



**Flushing plate with 1 button for wall-installation cistern**

**2000067429**  
AQUA557

**Flushing plate with 2 buttons for wall-installation cistern**

**2000067493**  
AQUA555

**EXOS - A3000 open electronic WC controller for cistern**

**2030036621**  
EXOS0027

**AQUATIMER - A3000 open electronic WC controller for cistern**

**2030021142**  
AT300051

### Optional Accessories



**AQUAFIX wall bracket**

**2000100867**  
ZCMPX140