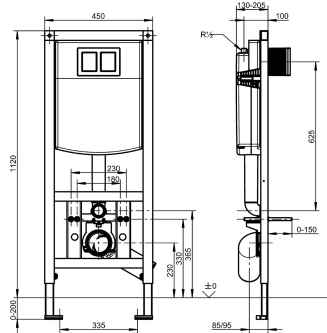


KWC AQUAFIX

Installation frame for WC pan, with wall-installation cistern

Modell-Linie: AQUAFIX | AQFX0006

Installation frames | Installation units wc



KWC-No.

2030020126

Installation frame for WC pan, with wall-installation cistern

AQUAFIX installation element for wall-mounted toilet bowl, with wall-installation cistern. Self-supporting, powder coated steel-frame construction, TÜV tested, for individual mounting for dry-wall lining. Concealed toilet cistern with water condensation insulation, with dual-volume flushing (7,5-4,5 l or 4-2 l) or Start/Stop flushing, triggering function transferred via flexible pressure spirals, charge

valve noise group I, mounting bracket 4-fold adjustable for toilet-connecting elbow DN 90 / DN 100, complete with flexible connecting hose, toilet-connecting elbow, retaining bolts for toilet, building protection and fastening material.

Dimensions 450 x 1120 mm (W x H)

Technical Data

application
barrier-free
Built-in fitting model
height adjustment
diameter nominal
material
minimum wall thickness
type of mixing
outlet size
overall depth
overall height
overall width
type
type of mounting

WC flush valve
no
Built-in section
200 mm
DN 15
steel
155 mm
no
DN 100
155 mm
1,120 mm
450 mm
installation element
wall and floor mounting

Mandatory Accessories

KWC AQUAFIX

Installation frame for WC pan, with wall-installation cistern

Modell-Linie: AQUAFIX | AQFX0006
Installation frames | Installation units wc



Flushing plate with 1 button for wall-installation cistern

2000067429
AQUA557

Flushing plate with 2 buttons for wall-installation cistern

2000067493
AQUA555

EXOS - A3000 open electronic WC controller for cistern

2030036621
EXOS0027

AQUATIMER - A3000 open electronic WC controller for cistern

2030021142
AT300051

Optional Accessories



AQUAFIX wall bracket

2000100867
ZCMPX140