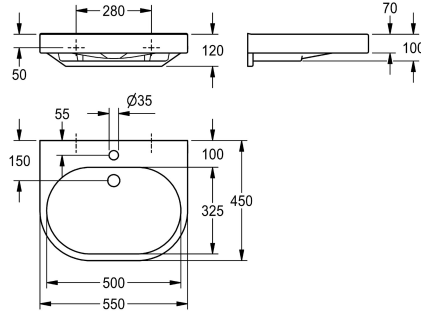


## KWC VARIUScare Single washbasin barrier-free

Modell-Linie: VARIUSCARE | ANMW503  
Washbasins & Washtroughs | Wash basins



KWC-No.
<b>2030020958</b> Dimensions 650 x 120 x 550 mm (W x H x D) Recess dimensions 600 x 80 x 420 mm (W x H x D)
<b>2030020961</b> Dimensions 550 x 120 x 450 mm (W x H x D) Recess dimensions 500 x 80 x 325 mm (W x H x D)
<b>2030020963</b> Dimensions 450 x 100 x 350 mm (W x H x D) Recess dimensions 400 x 60 x 230 mm (W x H x D)

overall depth	overall width
550 mm	650 mm
450 mm	550 mm
350 mm	450 mm

VARIUScare single washbasin made of MIRANIT resin-bonded mineral material. Colour Alpine white. Wheelchair accessible, with integrated gripping edge. Seamless moulded bowl, without overflow. With tap hole. Mounting on washbasin back panel. Rear

contoured edge. Mounting material included.

Dimensions 550 x 120 x 450 mm (W x H x D)  
Bowl dimensions 500 x 80 x 325 mm (W x H x D)

Technical Data
barrier-free
type of basin
bowl position
bowl - bowl height
bowl - depth
bowl - width
colour
material
material code
overall depth
overall height
overall width
overflow
rear upstand
siphon diameter
siphon included
splash back
number of tap holes
tap hole diameter
tap hole position
tap ledge

yes
Wash basin
Center
80 mm
325 mm
500 mm
alpinewhite
mineral material
Miranit
450 mm
120 mm
550 mm
no
yes
DN 32
no
no
1
35 mm
middle
yes

## KWC VARIUScare Single washbasin barrier-free

Modell-Linie: VARIUSCARE | ANMW503  
Washbasins & Washtroughs | Wash basins

type of mounting	_____
waste hole position	_____
waste sleeve included	_____
Colour strip	_____

wall mounting	_____
centre back	_____
no	_____
no	_____

### Optional Accessories



**Strainer waste**

**2000100854**  
ZANMW901



**Dome waste valve**

**2000100861**  
ZANMW900