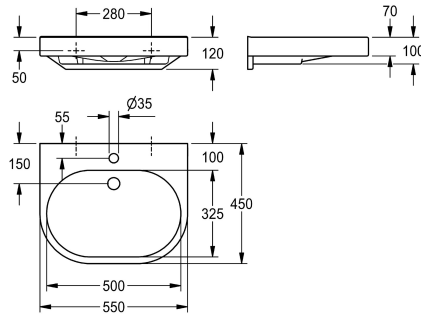


## KWC VARIUScare Single washbasin barrier-free

Modell-Linie: VARIUSCARE | ANMW503  
Washbasins & Washtroughs | Wash basins



### KWC-No.

#### 2030020958

Dimensions 650 x 120 x 550 mm (W x H x D) Recess dimensions 600 x 80 x 420 mm (W x H x D)

#### 2030020961

Dimensions 550 x 120 x 450 mm (W x H x D)  
Recess dimensions 500 x 80 x 325 mm (W x H x D)

#### 2030020963

Dimensions 450 x 100 x 350 mm (W x H x D)  
Recess dimensions 400 x 60 x 230 mm (W x H x D)

### overall depth

550 mm

450 mm

350 mm

### overall width

650 mm

550 mm

450 mm

VARIUScare single washbasin made of MIRANIT resin-bonded mineral material. Colour Alpine white. Wheelchair accessible, with integrated gripping edge. Seamless moulded bowl, without overflow. With tap hole. Mounting on washbasin back panel. Rear

contoured edge. Mounting material included.

Dimensions 550 x 120 x 450 mm (W x H x D)  
Bowl dimensions 500 x 80 x 325 mm (W x H x D)

### Technical Data

barrier-free

type of basin

bowl position

bowl - bowl height

bowl - depth

bowl - width

colour

material

material code

overall depth

overall height

overall width

overflow

rear upstand

siphon diameter

siphon included

splash back

number of tap holes

tap hole diameter

tap hole position

tap ledge

yes

Wash basin

center

80 mm

325 mm

500 mm

alpinewhite

mineral material

Miranit

450 mm

120 mm

550 mm

no

yes

DN 32

no

no

1

35 mm

middle

yes

## KWC VARIUScare Single washbasin barrier-free

Modell-Linie: VARIUSCARE | ANMW503  
Washbasins & Washtroughs | Wash basins

type of mounting	_____
waste hole position	_____
waste sleeve included	_____
Colour strip	_____

wall mounting	_____
centre back	_____
no	_____
no	_____

### Optional Accessories



**Strainer waste**

**2000100854**  
ZANMW901



**Dome waste valve**

**2000100861**  
ZANMW900