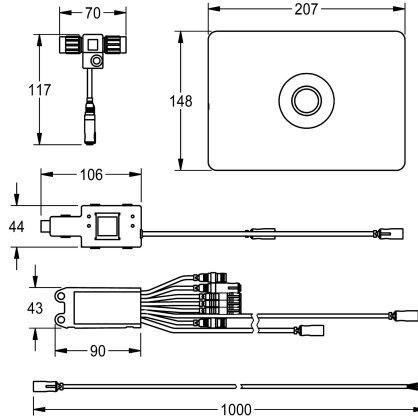
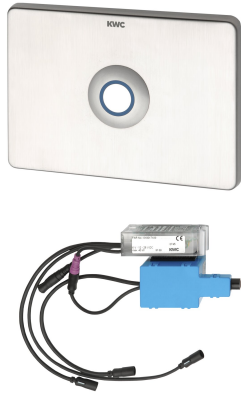


KWC AQUATIMER - A3000 open Electronic WC controller for cistern

Modell-Linie: AQUATIMERA3000OPEN | AT300051
Flushing systems | Electronic WC flushing systems



KWC-No.

2030021142

AQUATIMER - A3000 open electronic WC controller for cistern, with piezo switch

AQUATIMER - A3000 open electronically controlled WC control for concealed cistern with option for external controlling options such as setting the parameters and communication via ECC function controller. Consisting of waterproof electronic module with additional input for sensor switches (provided by customer), maximum distance to

electronic module 5 m, servo motor, two waterproof electric t-junctions for connection to system cable, frame and stainless steel cover plate with integrated piezo switch and concealed screw connection, 24 V DC.

Technical Data

Built-in fitting model
Cover plate height
Cover plate width
default automatic hygiene flush
functional principle
material casing
material code casing
material fitting
overall height
overall width
Parameterization
power supply connection
power consumption
Type of power supply
protective system IP
surface finish casing
with transformer/power supply
type of flushing fitting
type of mounting
type of operation
type of sensor

Finishing section
148 mm
207 mm
24h after the last activity
electronic self-closing
stainless steel
1.4301 Chrome Nickel steel V2A
synthetic
148 mm
207 mm
network
A3000 open 24 V DC
4 Voltampere
Transformer
IP68
brushed
no
for WC cistern
built in installation
sensor operation
piezo-electronic sensor



Mandatory Accessories

KWC AQUATIMER - A3000 open Electronic WC controller for cistern

Modell-Linie: AQUATIMERA3000OPEN | AT300051
Flushing systems | Electronic WC flushing systems



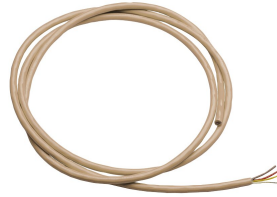
AQUAFIX Installation frame for WC pan, with wall-installation cistern

2030020126
AQFX0006



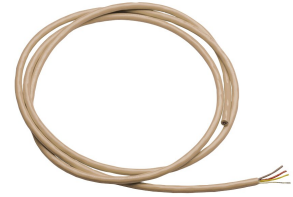
AQUAFIX installation frame for WC pan, barrier-free, with wall-installation cistern

2030020128
AQFX0007



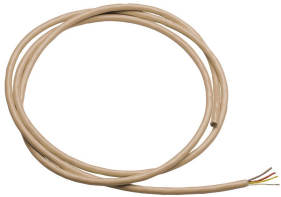
System cable

2000100801
ZAQUA077



System cable

2000100852
ZAQUA078



System cable

2000104272
ZAQUA011



System cable

2000104274
ZAQUA012



ECC2 function controller

2000108123
ZA3OP0011

Spare Parts



Electrical T junction

2000100853
ZAQUA075