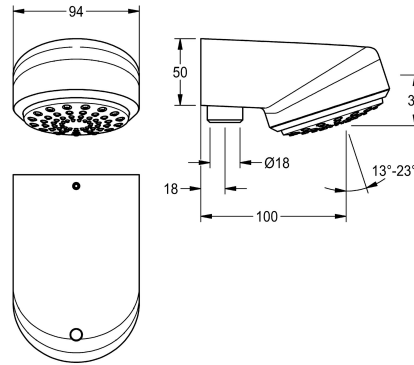


KWC AQUAJET-Comfort Shower head

Modell-Linie: AQUAJET-COMFORT | SHAC0008
Showers | Shower heads



KWC-No.

2030021283

AQUAJET-Comfort shower head for surface pipe mounting

AQUAJET-Comfort shower head DN 15 with infinitely angle-adjustable plastic jet face 13° - 23°, anti-calcification system and low aerosol formation. Model for surface pipe installation 18 mm

and enclosed flow controllers 6.0 l/min, 9.0 l/min and 12.0 l/min. Housing polished chromium-plated brass. Also suitable for shower trays, 800 x 800 mm.

Technical Data

diameter nominal
spout projection
adjustable tilt angle
type
type of connection
type of shower head
volume flow rate at 3 bar

DN 15
100 mm
yes
shower head
pipe connection
spray shower head
0.3 l/s

Optional Accessories



Shower pipe

2030041522
ACSX2002

Shower pipe

2030039555
ACSX2001

Shower pipe

2030041525
ACXX2003

Spare Parts

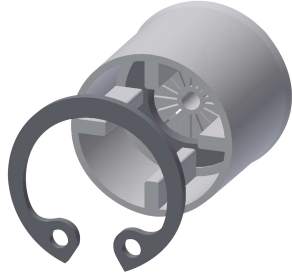
KWC AQUAJET-Comfort Shower head

Modell-Linie: AQUAJET-COMFORT | SHAC0008
Showers | Shower heads



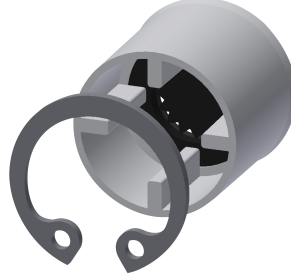
Plug

2030027581
ESHAC0002



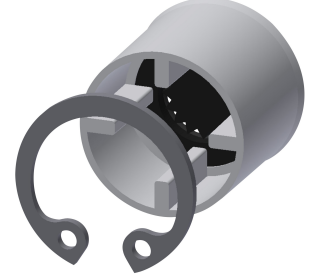
Flow controller 0.10 l/s

2030029710
ESHHE0005



Flow controller 0.15 l/s

2030029711
ESHHE0006



Flow controller 0.20 l/s

2030029712
ESHHE0007



Shower unit

2030027579
ESHAC0001