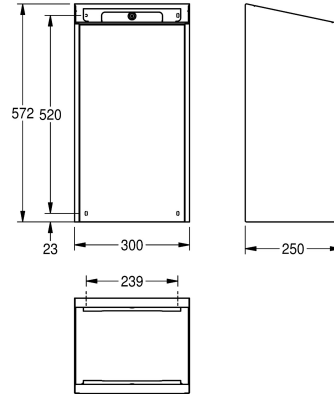


KWC EXOS. Waste bin for wall mounting

Modell-Linie: EXOS | EXOS605X
Accessories | Waste bins



KWC-No.

2030022928

Front with InoxPlus surface refinement

2030022929

InoxPlus-coated main housing, black toughened safety glass front panel

2030025228

InoxPlus-coated main housing, white toughened safety glass front panel

Accent colour

stainless steel-look

black

white

Waste bin for wall mounting, stainless steel with satin finish, front and casing with InoxPlus surface refinement for the reduction of finger marks and better cleaning characteristics (easy to clean), material thickness 1.2 mm, capacity approximate 30 litres,

integrated bag holder, includes mounting bracket and mounting materials.

Dimensions 300 x 572 x 250 mm (W x H x D)

Technical Data

bag holder

yes

filling volume

30 Liter

lid

no

lock

key-lock

material

stainless steel

material code

1.4301 Chrome Nickel steel V2A

material thickness

1.2 mm

overall depth

250 mm

overall height

573 mm

overall width

300 mm

surface treatment

InoxPlus (anti fingerprint)

type of fixing

screw

type of mounting

wall mounting

Accent colour

stainless steel-look

Basic colour

stainless steel-look

INOX PLUS

Optional Accessories

KWC EXOS.

Waste bin for wall mounting

Modell-Linie: **EXOS | EXOS605X**
Accessories | Waste bins



EXOS. front with black safety glass panel

2030022931
ZEXOS605B



EXOS. front with white safety glass panel

2030025234
ZEXOS605W
