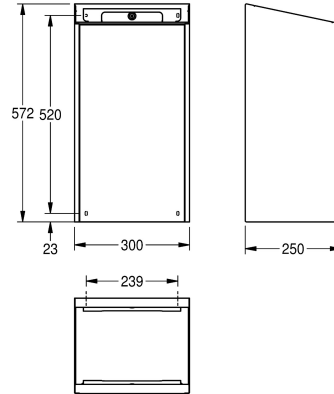


## KWC EXOS. Waste bin for wall mounting

Modell-Linie: EXOS | EXOS605X  
Accessories | Waste bins



### KWC-No.

**2030022928**

Front with InoxPlus surface refinement

**2030022929**

InoxPlus-coated main housing, black toughened safety glass front panel

**2030025228**

InoxPlus-coated main housing, white toughened safety glass front panel

### Accent colour

stainless steel-look

black

white

Waste bin for wall mounting, stainless steel with satin finish, front and casing with InoxPlus surface refinement for the reduction of finger marks and better cleaning characteristics (easy to clean), material thickness 1.2 mm, capacity approximate 30 litres,

integrated bag holder, includes mounting bracket and mounting materials.

Dimensions 300 x 572 x 250 mm (W x H x D)

### Technical Data

bag holder

yes

filling volume

30 Liter

lid

no

lock

key-lock

material

stainless steel

material code

1.4301 Chrome Nickel steel V2A

material thickness

1.2 mm

overall depth

250 mm

overall height

573 mm

overall width

300 mm

surface treatment

InoxPlus (anti fingerprint)

type of fixing

screw

type of mounting

wall mounting

Accent colour

stainless steel-look

Basic colour

stainless steel-look

**INOX PLUS**

### Optional Accessories

## KWC EXOS.

Waste bin for wall mounting

Modell-Linie: **EXOS | EXOS605X**  
Accessories | Waste bins



**EXOS. front with black safety glass panel**

---

**2030022931**  
ZEXOS605B

---



**EXOS. front with white safety glass panel**

---

**2030025234**  
ZEXOS605W

---