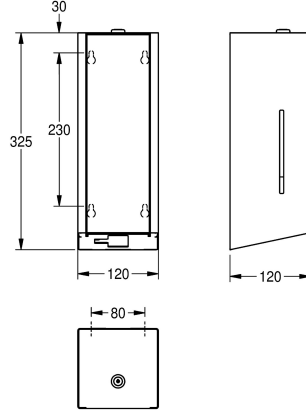


## KWC EXOS.

Electronic soap dispenser for wall mounting

Modell-Linie: EXOS | EXOS625X

Accessories | Soap dispensers



### KWC-No.

**2030022942**

Front with InoxPlus surface refinement

**2030022943**

InoxPlus-coated main housing, black toughened safety glass front panel

**2030025231**

InoxPlus-coated main housing, white toughened safety glass front panel

### Accent colour

stainless steel

black

white

EXOS, Touch free soap dispenser for wall mounting, stainless steel with satin finish, front and casing with InoxPlus surface refinement for the reduction of finger marks and better cleaning characteristics (easy to clean), material thickness 1.2 mm, inspection window on side, infrared sensor activity for non-touch operation, LED display shows battery status, requires 4 pieces 1.5 V AA batteries, suitable

for liquid soap and lotions, includes 800 ml refill tank, dispenses 0.6 - 1.1 ml depending on soap, mounting height should be at least 300 mm above wash basin or table top, includes mounting materials.

Dimensions 120 x 325 x 120 mm (W x H x D)

### Technical Data

filling quantity

800

filling quantity uom

ml

lock

key-lock

material

stainless steel

material code

1.4301 Chrome Nickel steel V2A

material thickness

1.2 mm

number of batteries

4

overall depth

120 mm

overall height

325 mm

overall width

120 mm

surface finish

satin finished

surface treatment

InoxPlus (anti fingerprint)

type of batteries

AA Mignon battery 1.5 V

type of consumable

liquid soap

type of fixing

screw

type of mounting

wall mounting

type of operation

sensor operation

type of soap container

integrated refillable tank

Accent colour

stainless steel

Basic colour

stainless steel

**INOX PLUS**

## KWC EXOS.

Electronic soap dispenser for wall mounting

Modell-Linie: EXOS | EXOS625X

Accessories | Soap dispensers

### Optional Accessories



EXOS. front with white safety glass panel for soap dispenser for wall mounting

**2030025238**  
ZEXOS616W



EXOS. conversion kit for liquid soap dispenser

**2030022956**  
ZEXOS618K



EXOS. conversion kit for foam soap dispenser

**2030022955**  
ZEXOS616K



Premium Stand

**2030062801**  
GLX2020



EXOS. front with black safety glass panel for soap dispenser for wall mounting

**2030022948**  
ZEXOS616B



Dispenser hose

**2000103333**  
EACCS055

### Consumables



Liquid soap

**2030058103**  
SO1LP



Liquid soap

**2000057168**  
SO10L



**KWC** EXOS.

Electronic soap dispenser for wall mounting

**Modell-Linie: EXOS | EXOS625X**  
Accessories | Soap dispensers