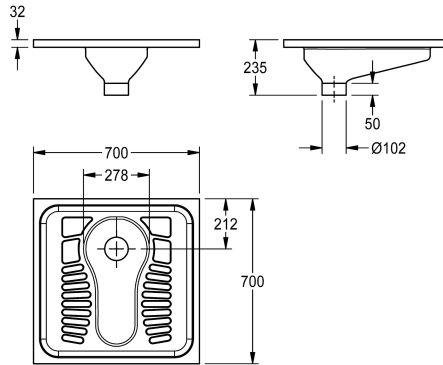


KWC CAMPUS

Squat pan

Modell-Linie: **CAMPUS | CMPX503N**

WCs and urinals | Squat pans



KWC-No.

2030018490

Dimensions 700 x 235 x 700 mm (W x H x D)

2030023692

Version without spreader

Squat pan for recessed or inset mounting, stainless steel, surface satin finished, material thickness 1.2 mm, DN 100 waste, drainage into ground, slip resistant patterned foot tread plate areas, suitable for recessed mounting into floor.

Without Spreader or Inlet Hole.

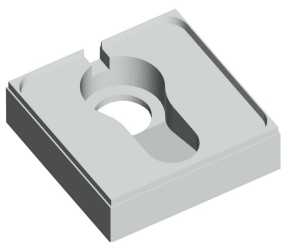
Dimensions 700 x 235 x 700 mm (W x H x D)

Technical Data

material
material code
material thickness
minimum flushing capacity
outlet size
overall depth
overall height
overall width
surface finish
type of mounting
type of toilet seat
type of WC

stainless steel
1.4301 Chrome Nickel steel V2A
1.2 mm
6 Liter
DN 100
700 mm
235 mm
700 mm
satin finished
inset floor mounting
no seat
squat-pan

Optional Accessories





KWC CAMPUS

Squat pan

Modell-Linie: **CAMPUS | CMPX503N**
WCs and urinals | Squat pans

**CAMPUS mounting support for squat
toilet**

2030027861
ZCMPX0011

Trap

2000102734
ZCMPX003

Trap

2000102733
ZCMPX002